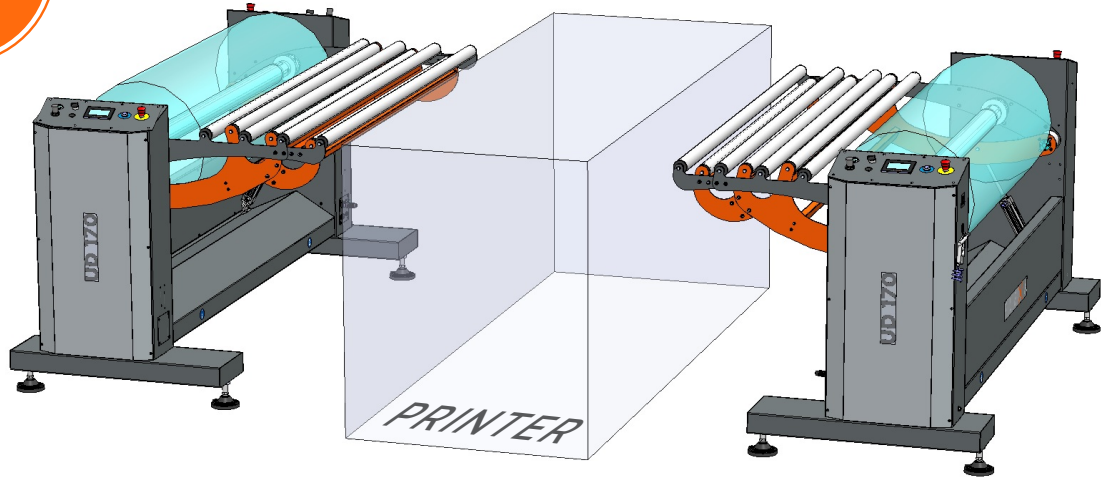


NEW



UD 170 UNWINDING AND REWINDING SYSTEM FOR JUMBO ROLLS

Solution to be integrated into the existing printer and workflow.
It works with jumbo roll of max. 400 kg, Ø 600 mm.

✓ OPTIMIZE THE WORKFLOW

The motorized jumbo roll media unwinder is designed to feed a large format printer; the motorized rewinder rewinds the printed media

✓ CHOOSE YOUR IDEAL SETUP

The UD 170 can work alone as feeder before the printer (input) or as rewinder after the printer (output), or combined together

✓ EASY TO USE TOUCH SCREEN DISPLAY

User friendly touch screen display to set working parameters

✓ MADE IN ITALY

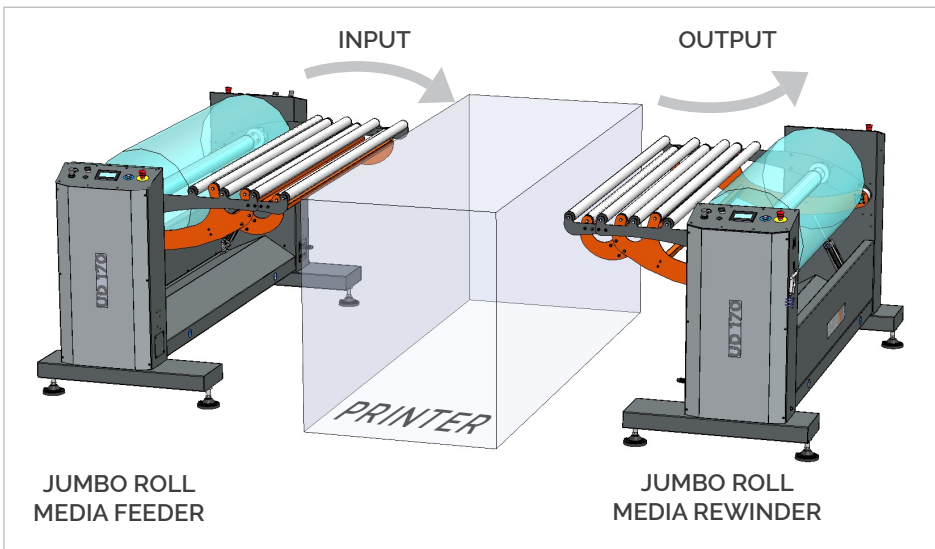
Designed and manufactured completely in Italy

SUITABLE FOR:

- > Jumbo rolls of max. 400 kg , Ø 600 mm of:
 - Digitally printed wallpaper
 - Flexible media roll



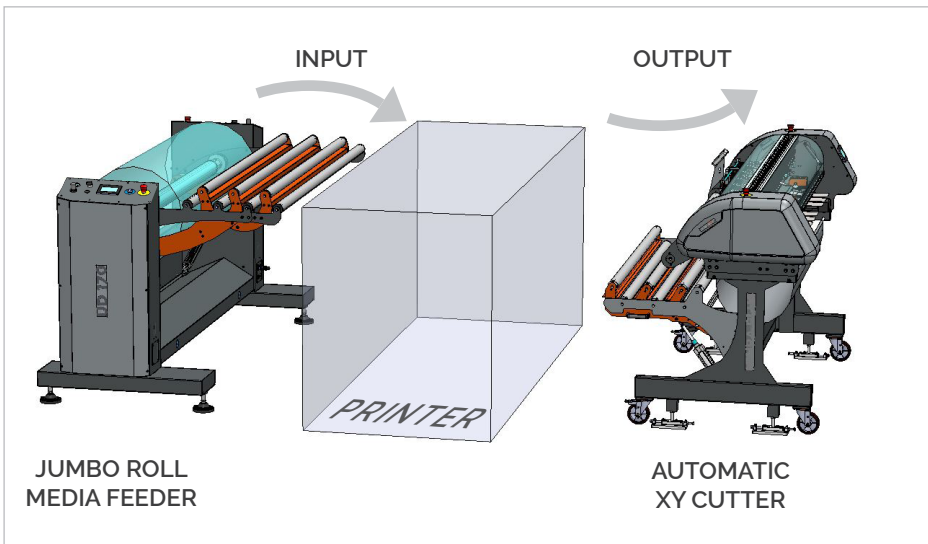
Configuration "NEARLINE": Flexa Unwinder + Printer + Flexa Rewider + Flexa Automatic XY Cutter



+



Configuration "INLINE": Flexa Unwinder + Printer + Flexa Automatic XY Cutter



Working width	1650 mm (65 in)
Max. roll diameter	600 mm (16 in)
Max. roll weight	400 kg (882 lbs)
Power supply	230 V - 50/60 Hz - 650 W
Dimensions (W x D x H)	2660 x 1300 x 1300 mm (102 x 51 x 51 in)
Weight	400 kg (882 lbs)



It works with air compressor (not included).

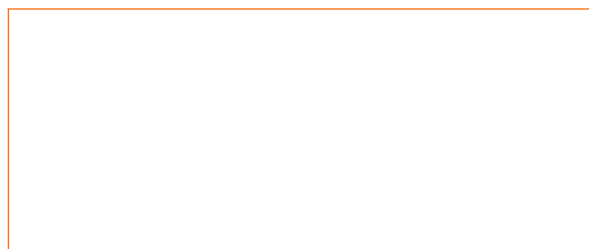
Manufactured in compliance with CE regulations



Follow us:



Distributor



100% Made by FLEXA

 100% Made in Italy